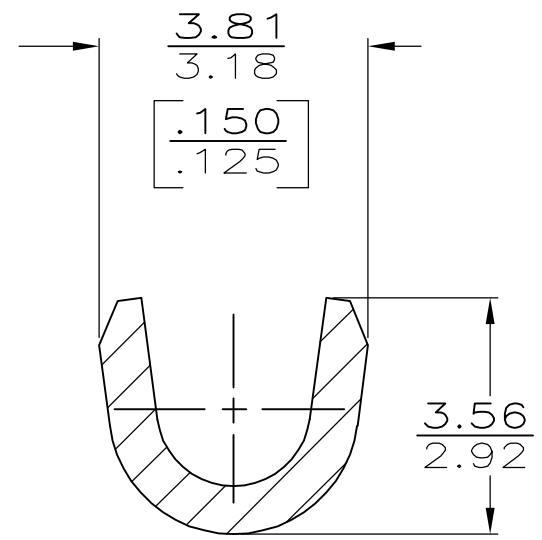
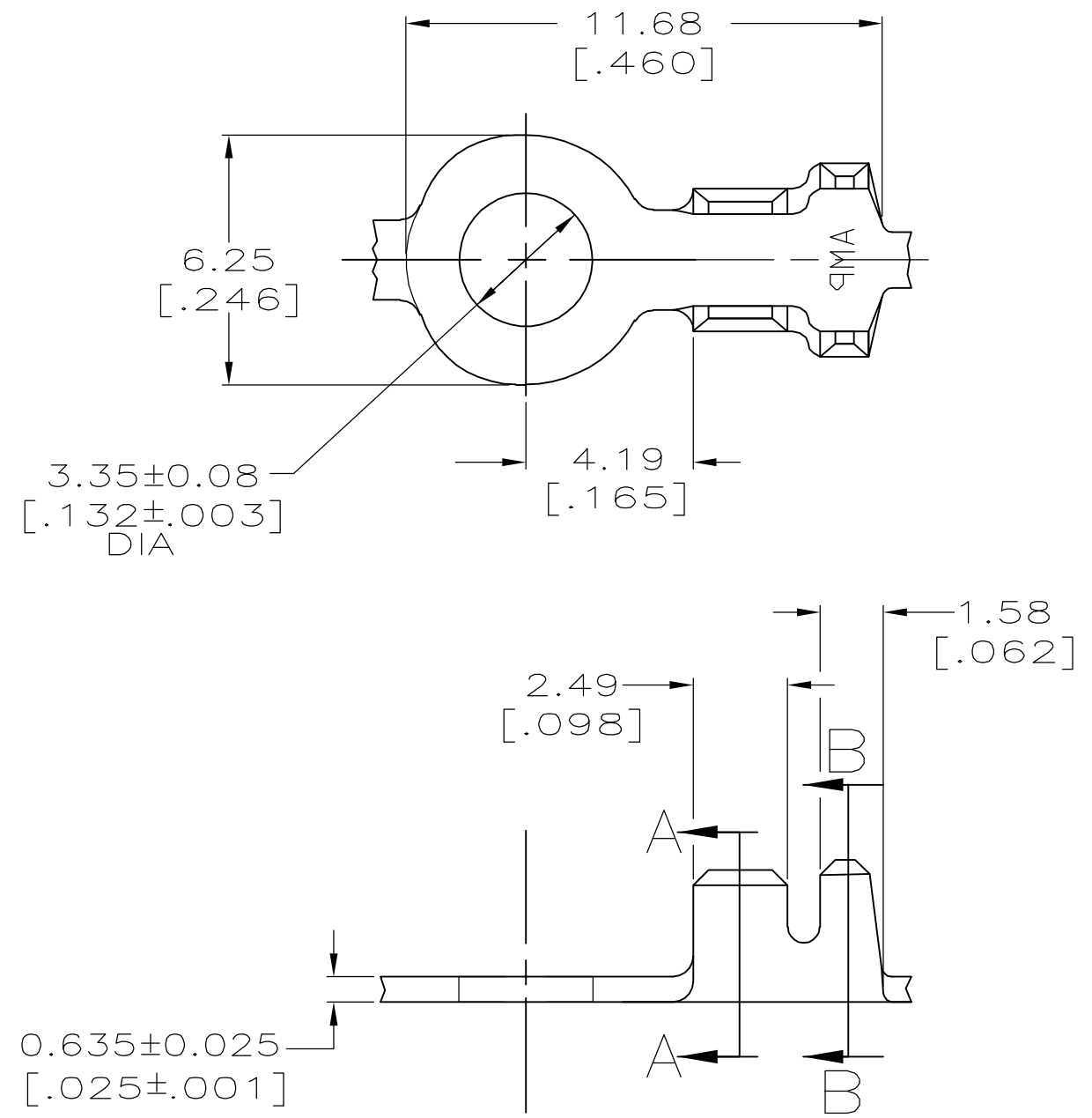


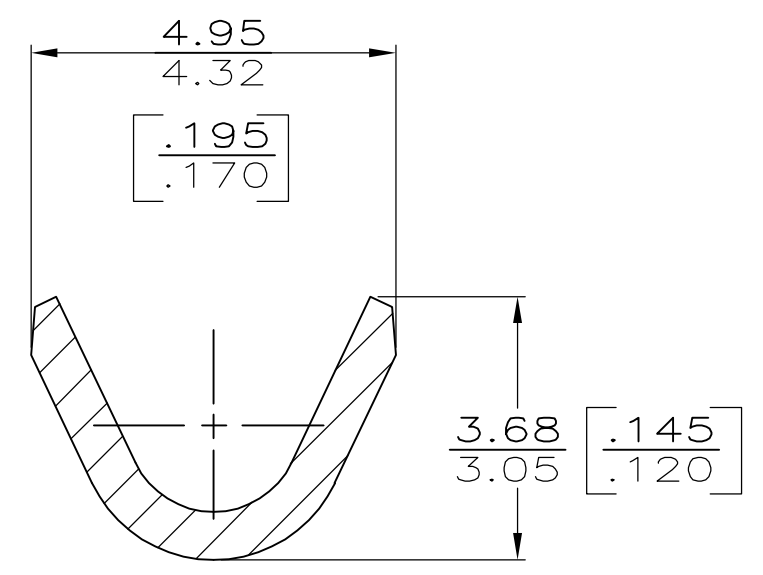
THIS DRAWING IS UNPUBLISHED. RELEASED FOR PUBLICATION
 © COPYRIGHT BY TYCO ELECTRONICS CORPORATION. ALL RIGHTS RESERVED.

LOC	DIST	REVISIONS			
P	LTR	DESCRIPTION	DATE	DWN	APVD
AF	50	R	REVISED PER 0G3A-0154-05	28FEB05	MF DD

- 1 CONTINUOUS STRIP ON REEL.
- 2 WIRE SIZE IS [#20-#16] AWG
- 3 INSULATION RANGE IS 1.90-2.79
[.075-.110] DIA.
- △ 4 PREPRODUCTION - F.A.S.R. REQUIRED.



SECTION A-A
SCALE 10:1



SECTION B-B
SCALE 10:1

0.002032 [.000080] MIN TIN	△ 4 42721-2
-	42721-1
FINISH	PART NO.

THIS DRAWING IS A CONTROLLED DOCUMENT.		DWN 06/JUL/95 PHILLIP M FORTNEY	Tyco Electronics Corporation Harrisburg, Pa 17105-3608		
DIMENSIONS: INCHES		CHK 06/JUL/95 MICHAEL S FEHER			
TOLERANCES UNLESS OTHERWISE SPECIFIED:		APVD 06/JUL/95 D DECKER	NAME RING TONGUE		
0 PLC ± - 1 PLC ± - 2 PLC ± 0.38 [.015] 3 PLC ± - 4 PLC ± - ANGLES ± -		PRODUCT SPEC -	-		
MATERIAL 082 BRASS		FINISH SEE TABLE	APPLICATION SPEC -	-	
		WEIGHT -	SIZE A3	CAGE CODE 00779	DRAWING NO C-42721
CUSTOMER DRAWING			RESTRICTED TO -	SCALE 6:1	SHEET 1 OF 1
			REV R		